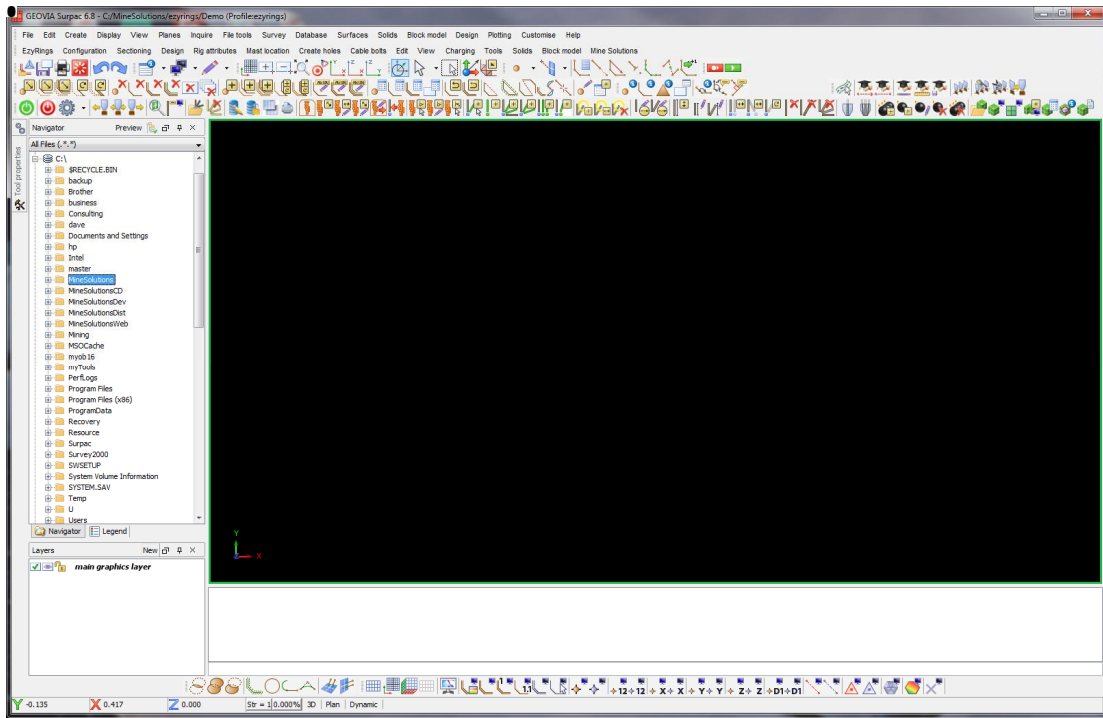


vComp Pty Ltd
(ABN 39 103 040 311)
PO Box 7356
Cloisters Square
Perth WA 6850
Telephone +618 9312 6158
Fax +618 9312 6158



EzyRings Profile



Database View

EzyRings V1.03 (Database View)
EzyRings V1.03
www.minesolutions.com
support@minesolutions.com

EzyRingsDB
NORTH
560
2
3
4
5
6
7
8
9
10
11
12

Hole	Pivot	Collar Y	Collar X	Collar Z	Toe Y	Toe X	Toe Z	Length	BT	Diameter	Hole Dip	Drill
1	A	7021.18	2546.941	364.653	7022.256	2537.693	373.687	12.973	<input type="checkbox"/>	0.07	314.999	<input checked="" type="checkbox"/>
2	B	7021.352	2548.401	365.164	7023.425	2533.421	381.668	22.385	<input type="checkbox"/>	0.07	318.473	<input checked="" type="checkbox"/>
3	C	7021.38	2548.887	365.166	7023.585	2537.287	381.344	20.029	<input type="checkbox"/>	0.07	325.103	<input checked="" type="checkbox"/>
4	D	7021.399	2549.235	365.167	7023.725	2539.853	381.321	18.825	<input type="checkbox"/>	0.07	330.614	<input checked="" type="checkbox"/>
5	E	7021.418	2549.573	365.169	7023.852	2542.366	381.241	17.781	<input type="checkbox"/>	0.07	336.608	<input checked="" type="checkbox"/>

Pivots

Holes

Charges

Intercepts

Drilled

Charged

Ring

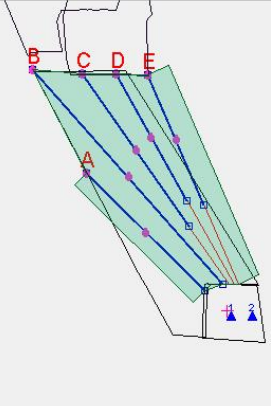
Dump angle: 80.003
Bearing: 176.793

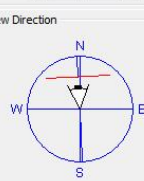
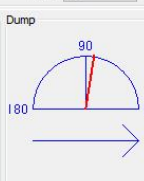
Element	Value
1	Burden 2.0
2	SG 2.8
3	Au 2.3

Break Area
Display yes
Use default yes
Method: CollarToToe
Expand by: percentage
Value: 10

View

Design Direction



View Direction:  Dump: 

Reports Centre

EzyRings V1.03 (Reports Centre)
X

EzyRings V1.03
www.minesolutions.com
support@minesolutions.com

Select Rings

- EzyRingsDB
 - NORTH
 - 360
 - 2
 - 3
 - 4
 - 5
 - 6
 - 7
 - 8
 - 9
 - 10
 - 11
 - 12

Select Report

- Reports
 - Charge
 - Charging
 - Drive
 - Collar Markup**
 - Ring
 - Collar Pivot Offset
 - Stope
 - Designed Vs Drilled Metres
 - Scheduling Report
 - Stone Summary Designed

The Collar Markup report details ring and laser positions of all selected rings in a drive shown in plan view. The plot may contain the reference line, collar positions, pivot

Plot scale

250

From date

2018-02-18

To date

2018-03-20

Rig

Select Rig: Rig SOLO 1020

Laser offset: 1.30

Rod length: 1.80

Rig Dump

Hole Dips

Special Instructions

Notes

1	DUMP MEASURED FROM 90 DEGREES VERTICAL
---	--

Output Directory

Create DWF plots yes Reports folder Plots

Excel Interface

Create Excel workbook yes Excel folder Excel

IREDES Interface (Rig Automation)

Create IREDES data yes IREDES Folder

Manufacturer Atlas Copco Include drive outline Include stope outline

